

ThermaSync Switch and Connection

There are four wires coming out of the ThermaSync Defroster Control running to the defroster switch. This bulletin shows what the ThermaSync switch wires do.

Proceed with caution

Modifying the switch wiring voids any and all warranty policies for the ThermaSync control. The PipeKnife Company is not responsible for any consequence of this modification. It is possible to damage any device connected to the ThermaSync control and/or the control.

What we do not know

We do not know the wire colors coming from existing defroster switches or other devices as there is no standard in this area.

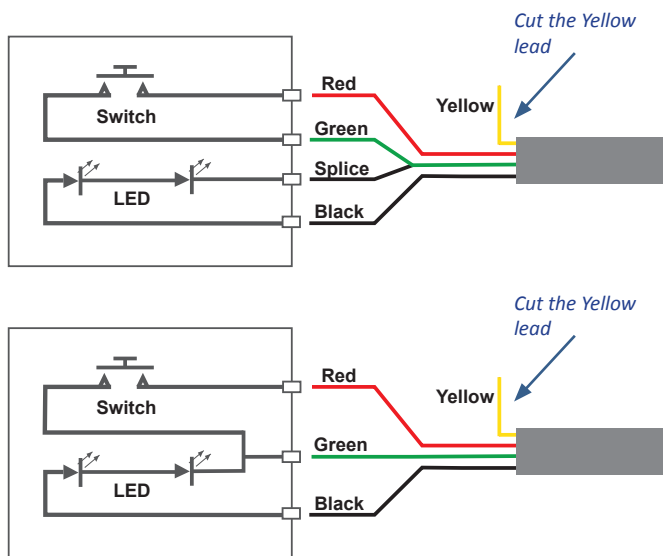
What works

The ThermaSync switch uses two light emitting diodes (LED) for the red indicator light and a **momentary normally open push button**.

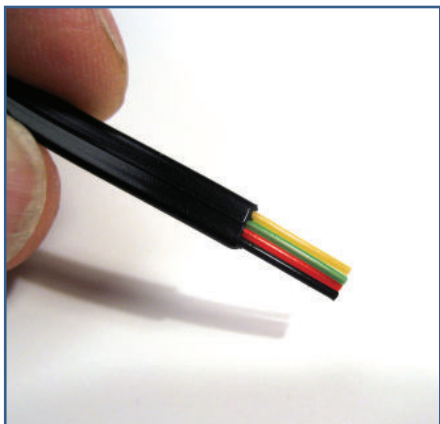
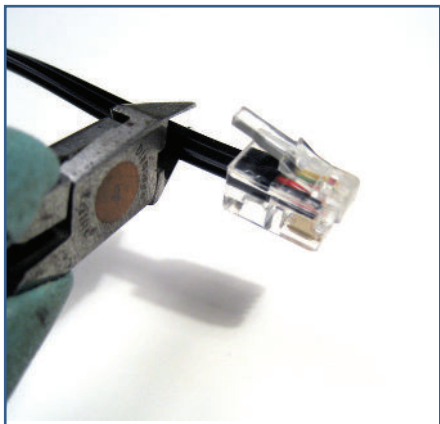
There are a few things to know in addition:

1. The ThermaSync driver for the LEDs is constant current at 7.6mA , with a voltage of 9.5 volts.
2. If connecting to a single LED it is important that the anode be connected to the Black lead prior to applying power since connecting the cathode to the Black lead will exceed the reverse voltage specifications and likely destroy the LED.
3. Some switches have three leads and some have four but all must be momentary normally open.

ThermaSync Wire Configurations



Yellow = Cut / Green = Ground / Red = Power / Black = LED



The PipeKnife Company

13301 W. 43rd. Drive, #11 • Golden, CO 80403
Tel: 303-682-0274 • Fax: 303-232-8789
email: info@frostfighter.com
www.frostfighter.com • www.pipeknife.com